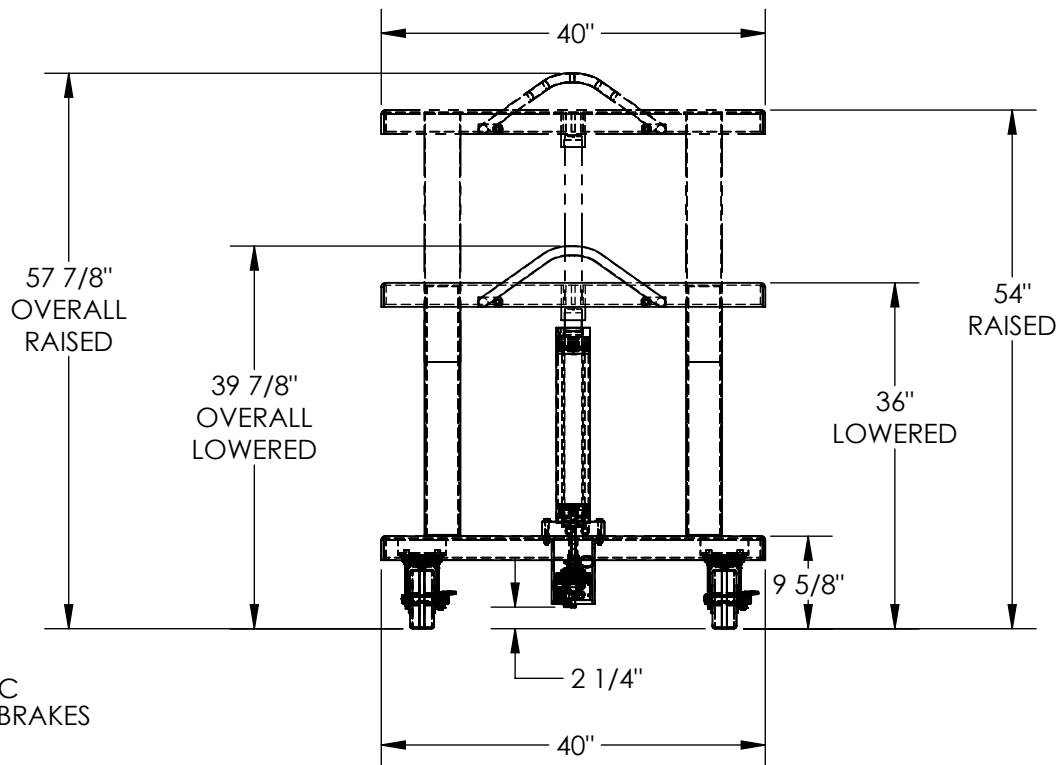
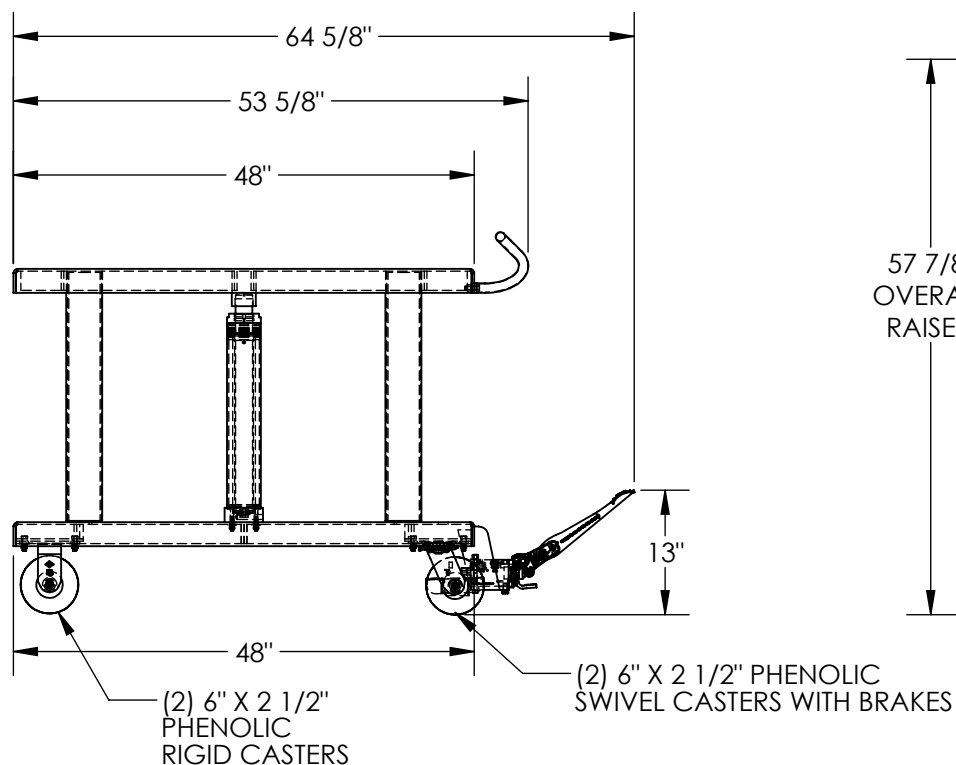


HYDRAULIC POST TABLE - HT-60-4048

APPROX WEIGHT: 633.28 lbs.
DOES NOT INCLUDE WEIGHT OF POWER OR PACKAGING!!!

*** ANY ADDITIONS, DELETIONS, OR OMISSIONS MUST BE CORRECTED ON THIS DRAWING AS THIS DRAWING WILL BE CONSIDERED ALL INCLUSIVE ***
ALL GRAPHICS PROVIDED ARE FOR REFERENCE ONLY. IF CERTAIN DIMENSIONS ARE CRITICAL PLEASE VERIFY THOSE DIMENSIONS WITH YOUR SALESPERSON



DIMENSION TOLERANCE $\pm 1/4"$

HYDRAULIC HOSES NOT SHOWN

STANDARD FEATURES

MODEL NUMBER IS HT-60-4048
CAPACITY IS 6,000 LBS.
OVERALL WIDTH IS 40"
USABLE WIDTH IS 40"
OVERALL LENGTH IS 64 5/8"
USABLE LENGTH IS 48"
RAISED HEIGHT IS 54"
LOWERED HEIGHT IS 36"
OVERALL RAISED HEIGHT IS 57 7/8"
OVERALL LOWERED HEIGHT IS 39 7/8"
(2) PHENOLIC RIGID CASTERS
(2) PHENOLIC SWIVEL CASTERS WITH BRAKES
TOUGH BAKED IN POWDER COATED BLUE FINISH

SPECIAL FEATURES

NONE

APPROVAL

I, THE UNDERSIGNED, AGREE THAT THE PRODUCT AS REPRESENTED SATISFIES DESIGN AND DIMENSION REQUIREMENTS. I ALSO ACKNOWLEDGE MY DUTY TO CONFIRM PRODUCT AND INSTALLATION COMPLIANCE WITH ALL APPLICABLE FEDERAL, STATE AND LOCAL REGULATIONS AND STANDARDS.

UNITS REQUIRING APPROVAL DRAWINGS OR MODIFIED ARE NON-RETURNABLE

[] As drawn [] As marked

Signed: _____ Date: _____

Printed Name: _____

LEAD TIME WILL START UPON RECEIPT OF SIGNED APPROVAL DRAWING

DISTRIBUTOR'S NAME:		P.O.#
VESTIL MANUFACTURING		X
DRAWN BY: TAW		DATE: 4/14/2016
REFERENCE: X		SCALE: 1:20
QUOTED LEAD TIME: X		QUOTE #
		X
		SALES: X
		FILE NAME:
		21-007-113-001